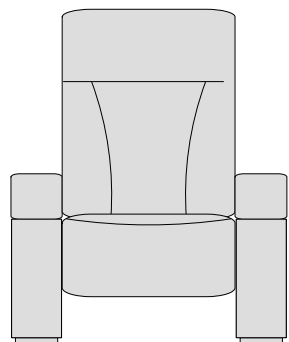
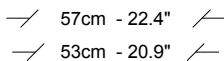
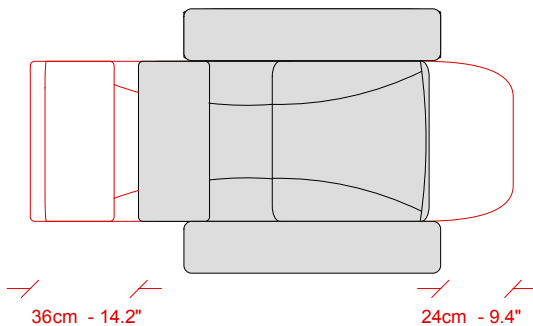
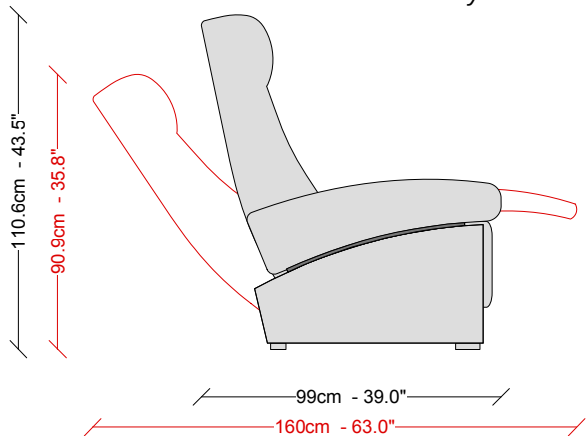
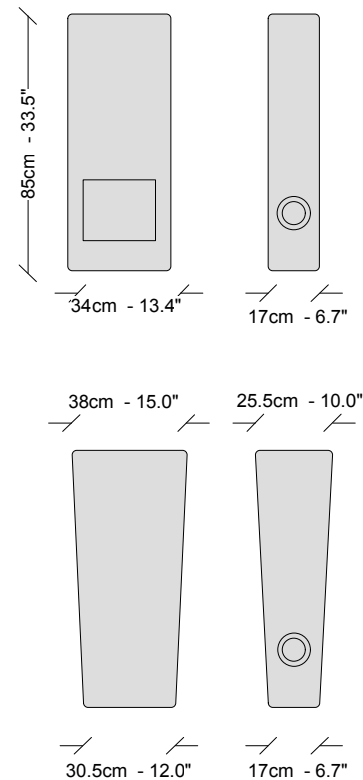
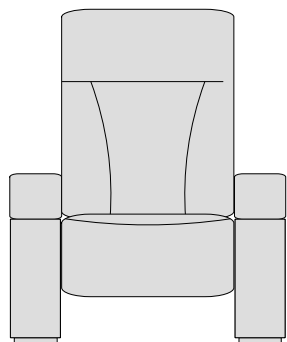
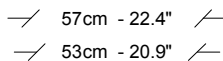
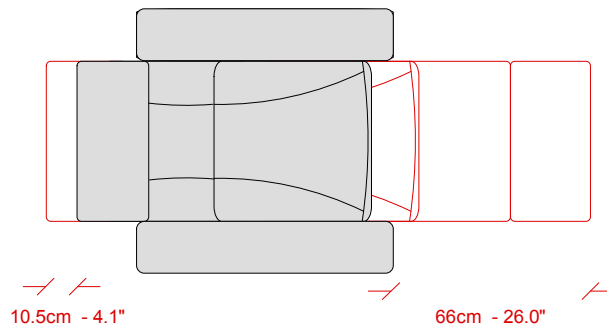
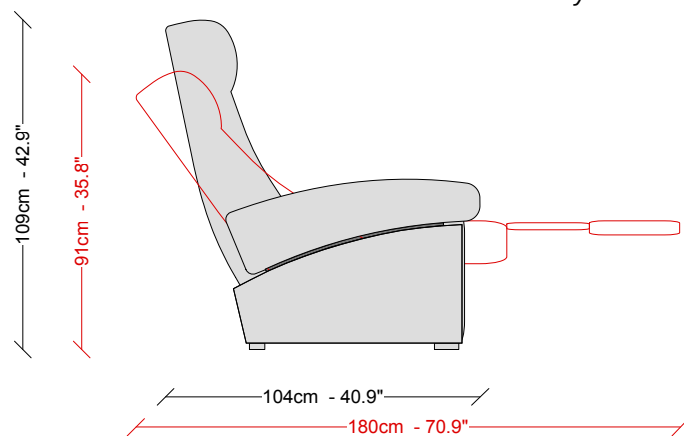


### Fortuny - Recliner



### Fortuny - Incliner



## FORTUNY - BASE FILE

### Incliner - Recliner - Plan & Elevation

Ref. FORTUNY 2.0  
Drawn by Kim Hellemans  
Cineak Europe

JULY, 2012



Seating Layout by CINEAK, www.CINEAK.com NOTE: All CINEAK products are custom made to order and hand-built - dimensions may vary and discrepancies will occur due to differences in foam thickness/density, covering materials, modularly adding seating parts and position of mechanisms. Allow small variances especially for modular configurations. CINEAK is NOT a room design nor acoustic AV engineering firm, it is the responsibility of DEALER to verify dimensions, layout specs and ALL aspects of seating to room - CINEAK does not take any responsibility nor can be held responsible for ANY issues other than quality and proper function of chairs manufactured to CINEAK standards. Dimensional information on products are estimates.